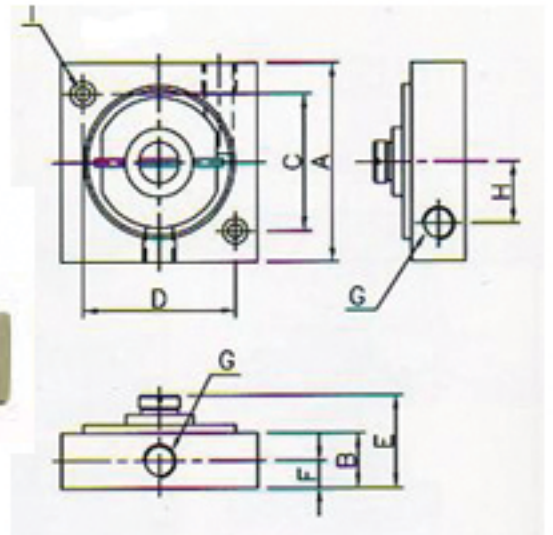
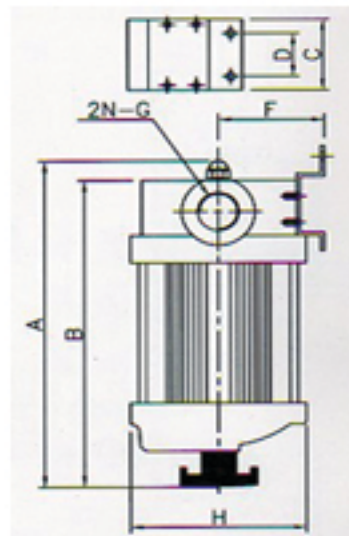


Vacuum Filter



Specifications

Model	Port Size	Filtration	Fluid	Size (mm)								
				A	B	C	D	E	F	G	H	φI
CF-03	PT 1/8"	40 μ m	Air	58	16	40	45	32	8	PT 1/8	18	4.5
CF-05	PT 1/4"			64	25	40	45	40	14	PT 1/4	20	4.5
CF-06	PT 3/8"			69	30	40	45	46	17	PT 3/8	23	5.5



Specifications

Model	Port Size (PT)	Filtration	Fluid	Size (mm)							
				A	B	C	D	E	F	G	H
CF-600	PT 3/4"	40 μ m	Air	225	212	48	30	*	60	PT 3/4	115
CF-800	PT 1"			225	212	48	30	*	60	PT 1	115